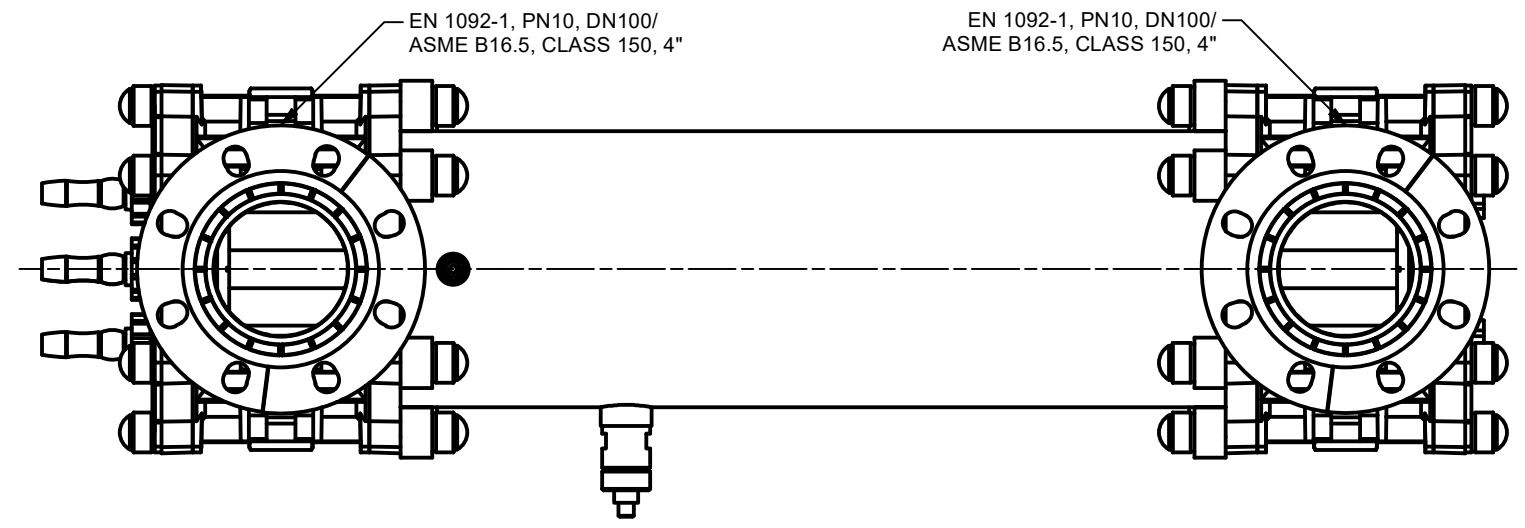
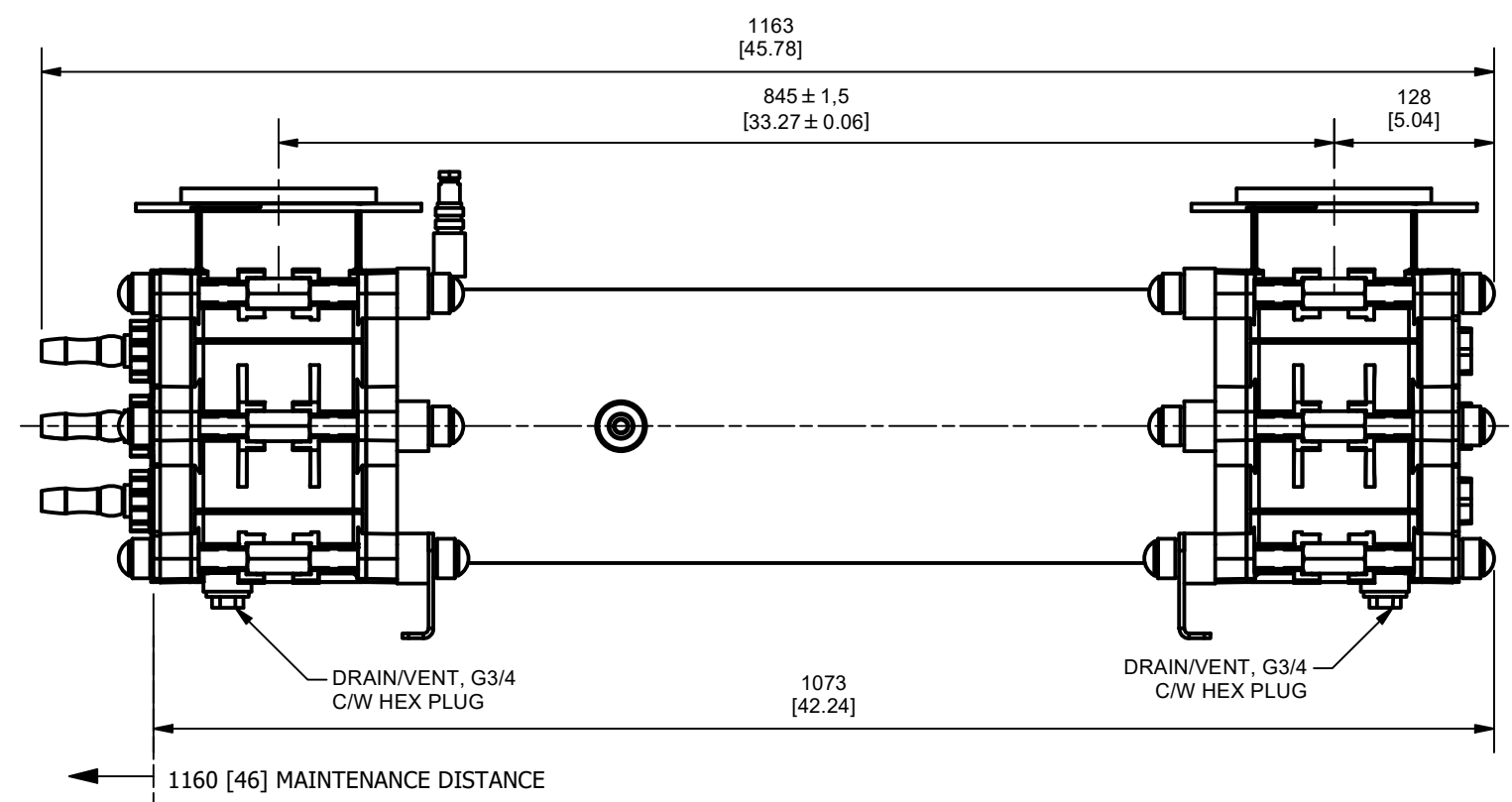
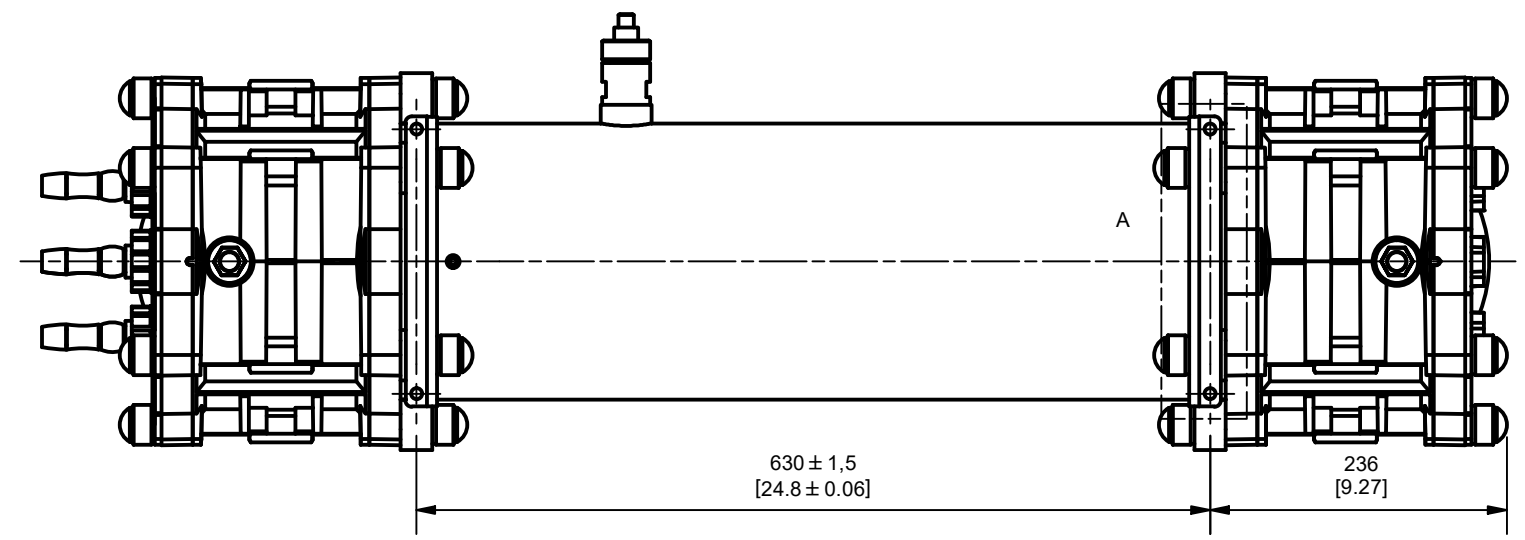
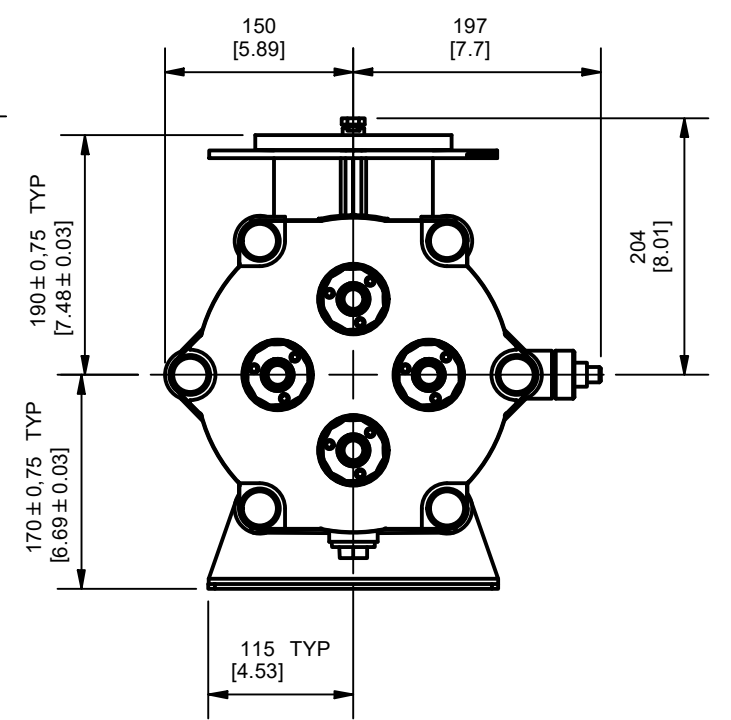
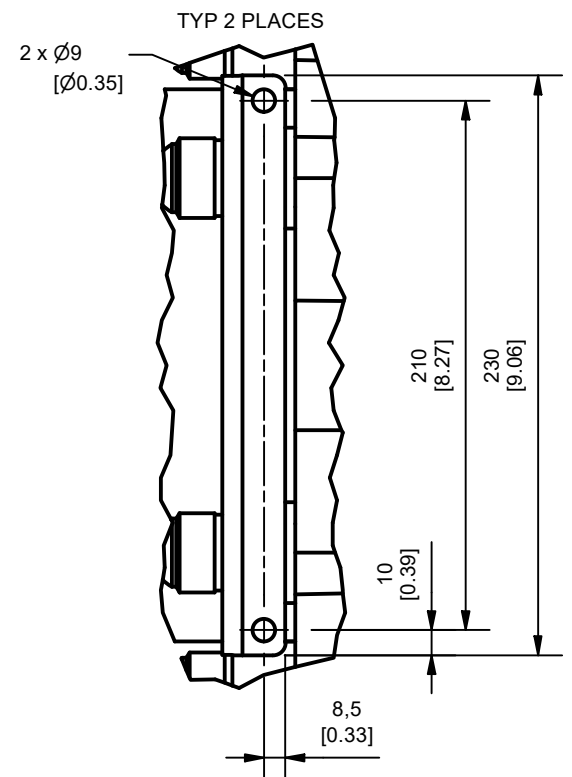


### DETAIL A

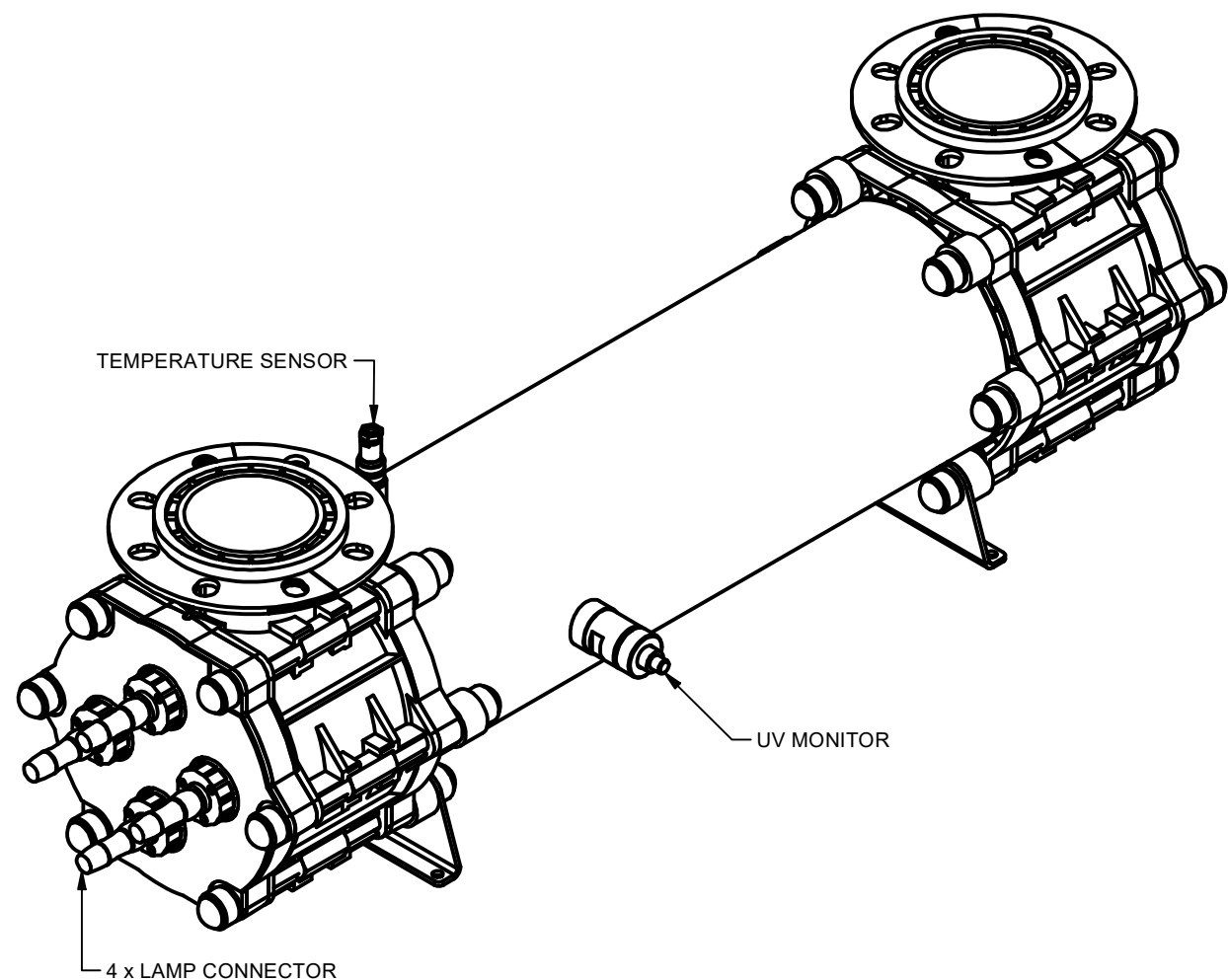


<small>COMPANY CONFIDENTIAL INFORMATION THIS DOCUMENT AND ALL INFORMATION CONTAINED HEREIN, INCLUDING THE DESIGN CONCEPTS AND THOSE ARISING THEREFROM ARE THE PROPERTY OF EVOQUA AND/OR ITS AFFILIATES AND ARE SUBMITTED IN CONFIDENCE. THEY MAY BE USED ONLY FOR THE EXPRESS PURPOSE FOR WHICH THEY ARE PROVIDED AND MUST NOT BE DISCLOSED, REPRODUCED OR COPIED IN ANY FORM, INCLUDING IN ELECTRONIC FORMAT, LOANED OR USED IN ANY OTHER MANNER WITHOUT THE EXPRESS WRITTEN CONSENT OF EVOQUA. ALL PATENT RIGHTS ARE RESERVED. THIS DOCUMENT AND DERIVATIVE WORKS THEREOF ARE PROTECTED UNDER APPLICABLE COPYRIGHT LAWS. UPON DEMAND OF EVOQUA, THIS DOCUMENT, ALONG WITH ALL COPIES AND EXTRACTS, AND ALL RELATED NOTES AND ANALYSES MUST BE RETURNED TO EVOQUA OR DESTROYED, AS INSTRUCTED BY EVOQUA. ACCEPTANCE OF THE DELIVERY OF THIS DOCUMENT CONSTITUTES AGREEMENT TO THESE TERMS.</small>		DWN BY: T.D.C CKD BY: G.FOSTER APPD BY: M.PERRY MGD BY: SCALE NTS	DATE 06/02/2024 DATE 06/02/2024 DATE 16/02/2024 SCALE NTS	TITLE EQUIPMENT GENERAL ARRANGEMENT CGA_TI-4200-8-4_E00 CLIENT STANDARD PRODUCTS EVOQUA WATER TECHNOLOGIES WARRINGTON CHESHIRE GBR +44 (0)3001240500			
C B A REV	SENSOR POSITION REVISED SECOND ISSUE FIRST ISSUE DESCRIPTION	23/04/2024 28/02/2024 06/02/2024 DATE	T.D.C T.D.C T.D.C DWN	G.FOSTER G.FOSTER G.FOSTER CKD	M.PERRY M.PERRY M.PERRY APPD	ECN	PART NUMBER PROJ/PROD NUMBER CODE M-GA01 FILE/DRAWING NUMBER V112059675 SHEET 1 OF 2 REV C

STD:297x420\_A3 v4.42 BAR = 25mm AT PLOT SCALE

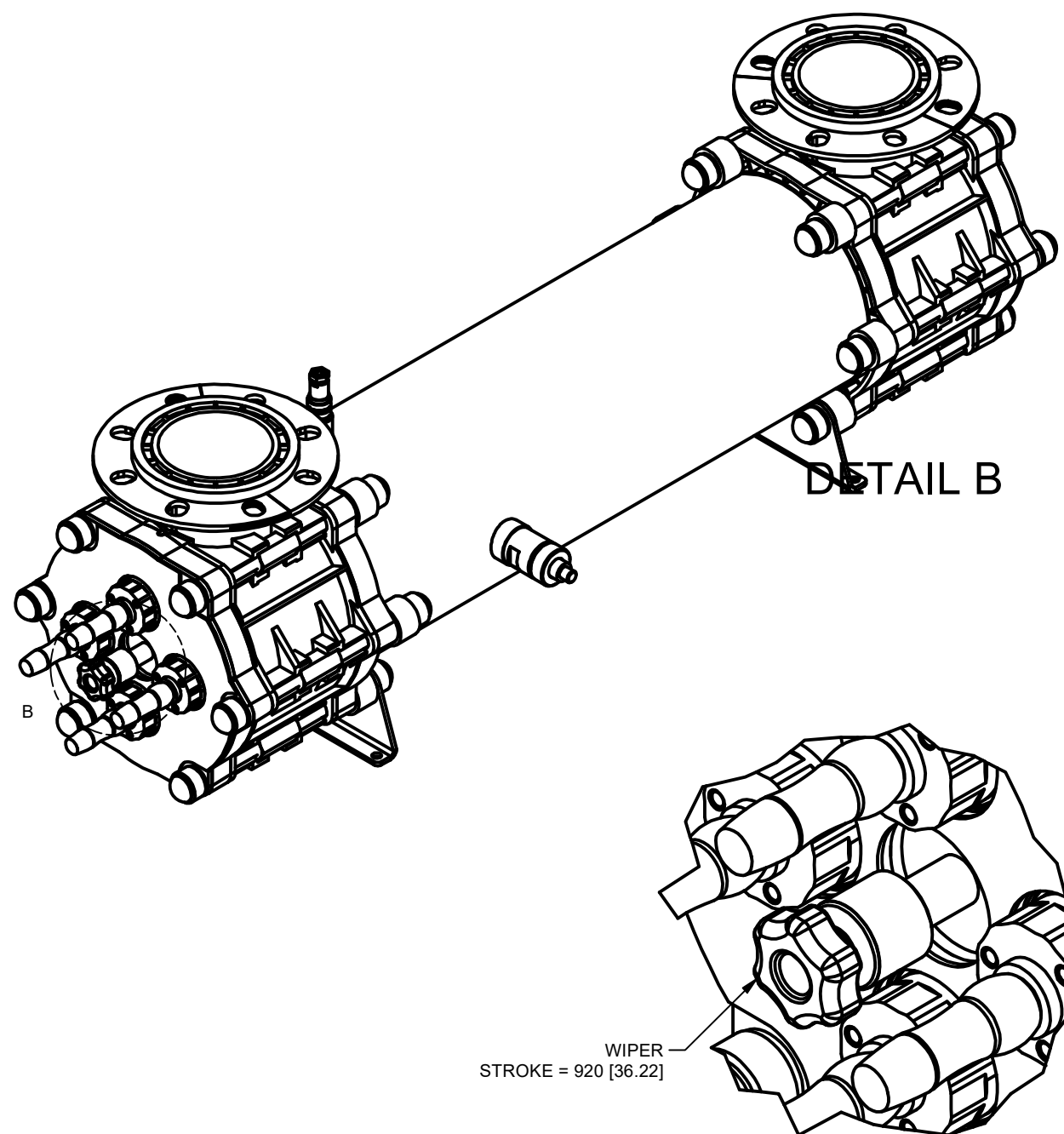
# STANDARD SYSTEM

(CGA\_TI-4200-8-4\_E10)



# OPTIONAL WIPER UPGRADE

(CGA\_TI-4200-8-4\_E20)



STD:297x420\_A3\_v4.42 BAR = 25mm AT PLOT SCALE

<small>COMPANY CONFIDENTIAL INFORMATION THIS DOCUMENT AND ALL INFORMATION CONTAINED HEREIN, INCLUDING THE DESIGN CONCEPTS AND THOSE ARISING THEREFROM ARE THE PROPERTY OF EVOQUA AND/OR ITS AFFILIATES AND ARE SUBMITTED IN CONFIDENCE. THEY MAY BE USED ONLY FOR THE EXPRESS PURPOSE FOR WHICH THEY ARE PROVIDED AND MUST NOT BE DISCLOSED, REPRODUCED OR COPIED IN ANY FORM, INCLUDING IN ELECTRONIC FORMAT, LOANED OR USED IN ANY OTHER MANNER WITHOUT THE EXPRESS WRITTEN CONSENT OF EVOQUA. ALL PATENT RIGHTS ARE RESERVED. THIS DOCUMENT AND DERIVATIVE WORKS THEREOF ARE PROTECTED UNDER APPLICABLE COPYRIGHT LAWS. UPON DEMAND OF EVOQUA, THIS DOCUMENT, ALONG WITH ALL COPIES AND EXTRACTS, AND ALL RELATED NOTES AND ANALYSES MUST BE RETURNED TO EVOQUA OR DESTROYED, AS INSTRUCTED BY EVOQUA. ACCEPTANCE OF THE DELIVERY OF THIS DOCUMENT CONSTITUTES AGREEMENT TO THESE TERMS.</small>		DWN BY: T.D.C DATE: 06/02/2024 CKD BY: G.FOSTER DATE: 06/02/2024 APPD BY: M.PERRY DATE: 16/02/2024 MGD BY: SCALE NTS	TITLE: EQUIPMENT GENERAL ARRANGEMENT CGA_TI-4200-8-4_E00 CLIENT: STANDARD PRODUCTS EVOQUA WATER TECHNOLOGIES WARRINGTON CHESHIRE GBR +44 (0)3001240500		
PART NUMBER	PROJ/PROD NUMBER	CODE	FILE/DRAWING NUMBER	SHEET	REV
		M-GA01	V112059675	2 OF 2	C